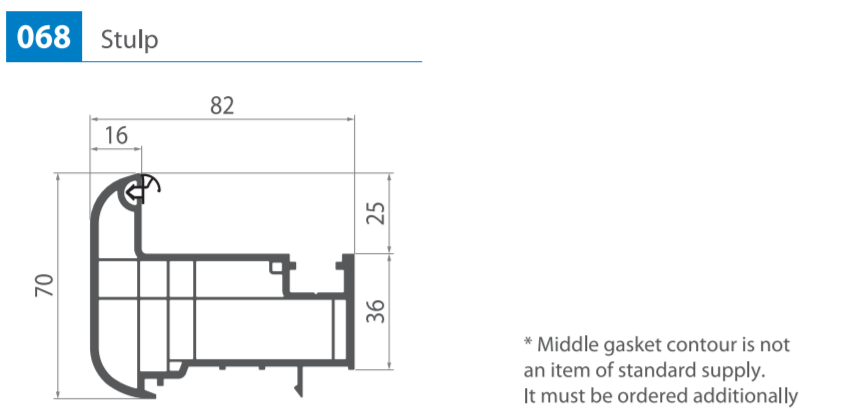
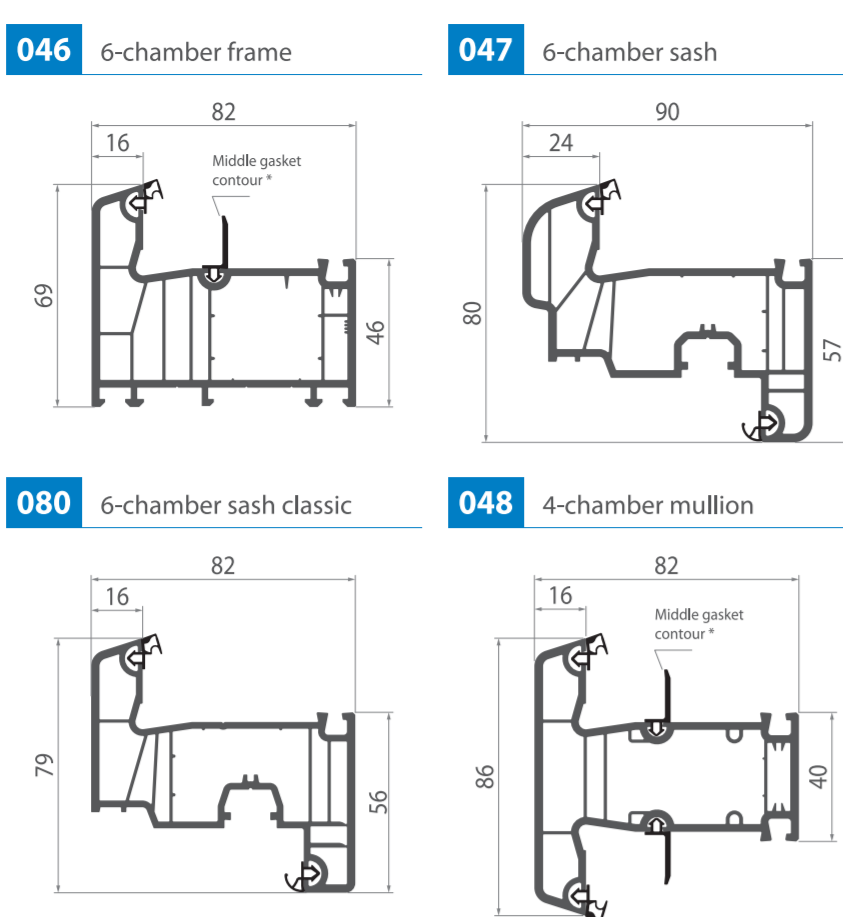


MAIN PROFILES

WDS 8S

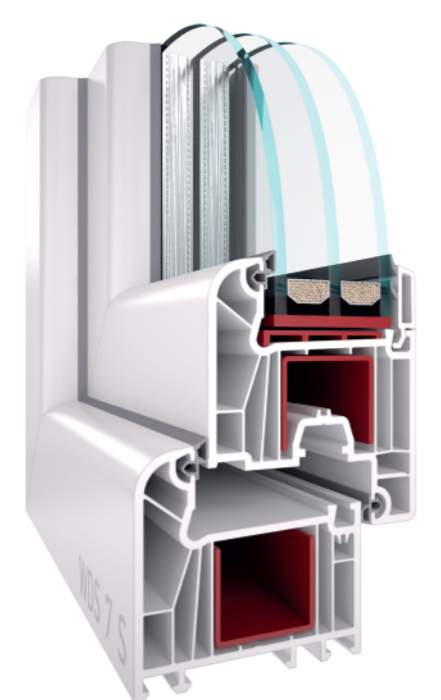


Heat insulation .....★★★★★  
 Sound insulation .....★★★★★  
 Mounting depth ..... 82 mm  
 Air permeability ..... up to class 4  
 Water tightness ..... up to E750  
 Resistance to wind load ..... up to class C3/B3  
 Three gasket contours  
 Glazing unit ..... 32, 44 mm

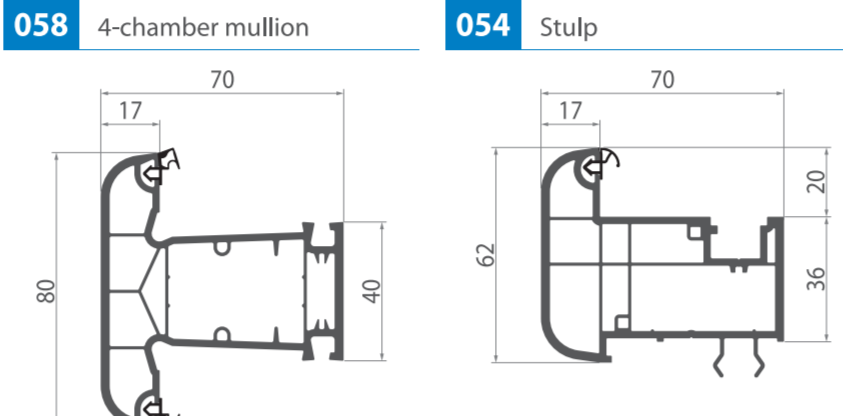
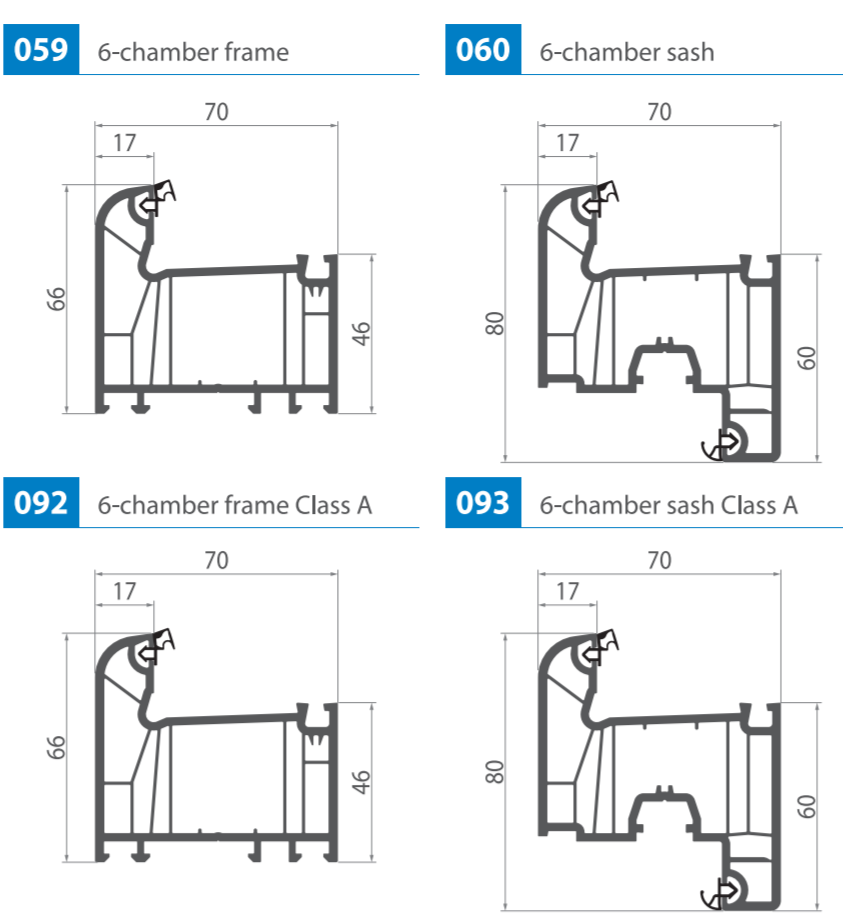


\* Middle gasket contour is not an item of standard supply. It must be ordered additionally

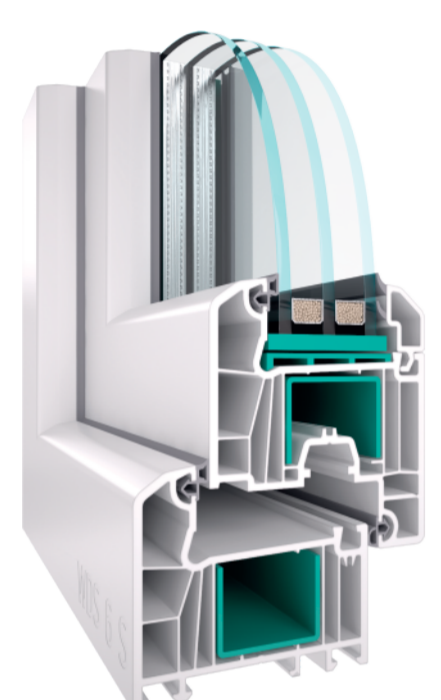
WDS 7S



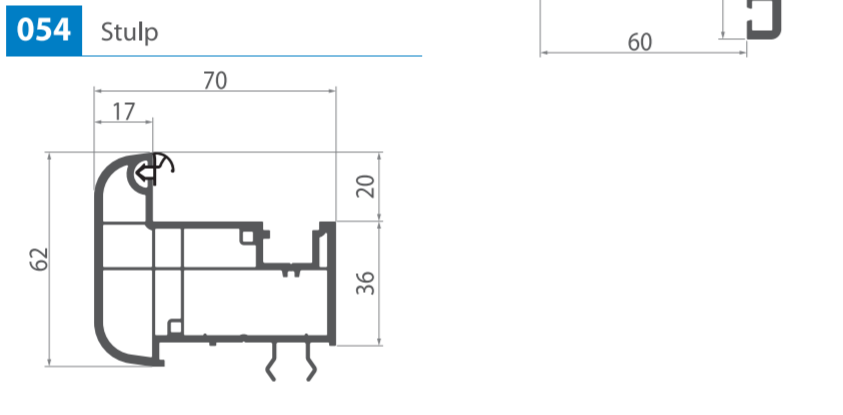
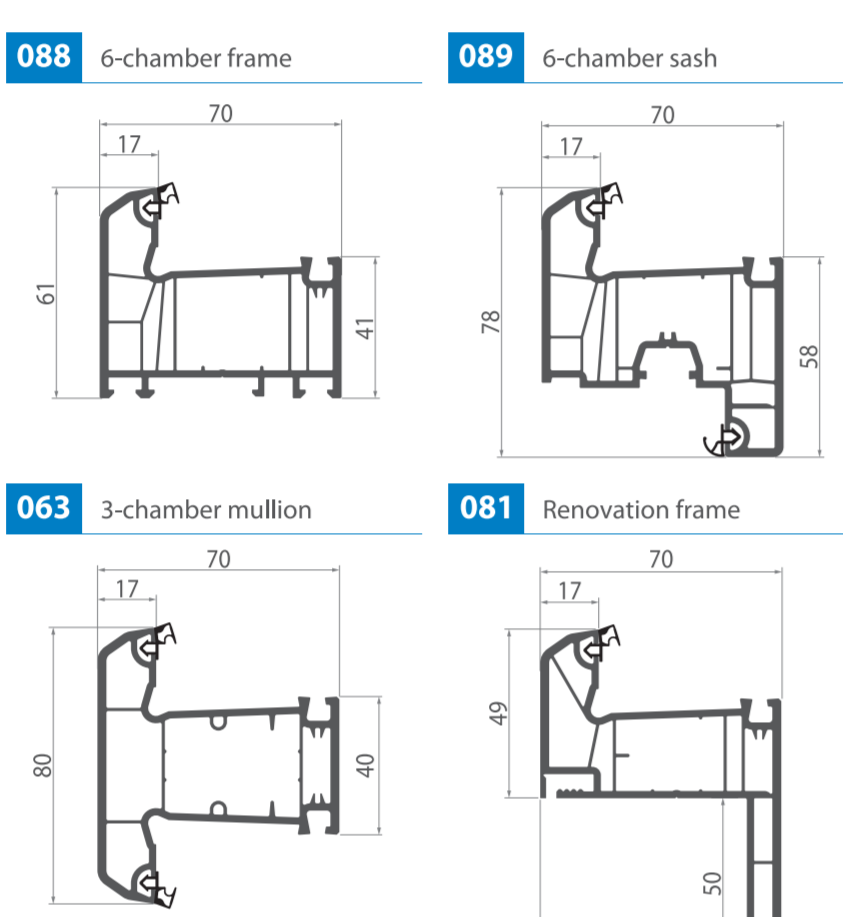
Heat insulation .....★★★★★  
 Sound insulation .....★★★★★  
 Mounting depth ..... 70 mm  
 Air permeability ..... up to class 4  
 Water tightness ..... up to class 8A  
 Resistance to wind load ..... up to class C3/B3  
 Outer wall thickness ..... class A/class B  
 Glazing unit ..... 24, 32, 40 mm



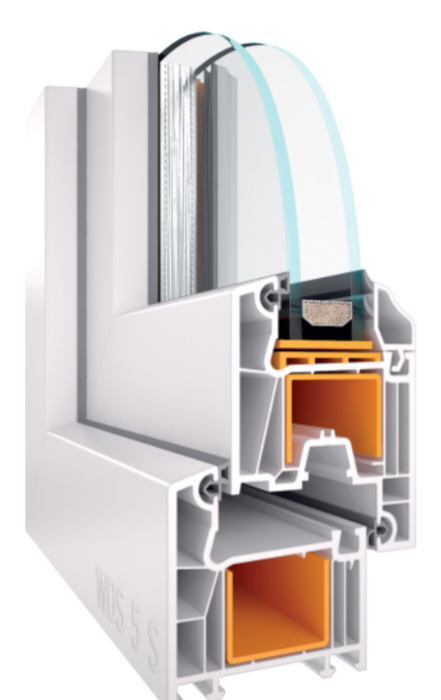
WDS 6S



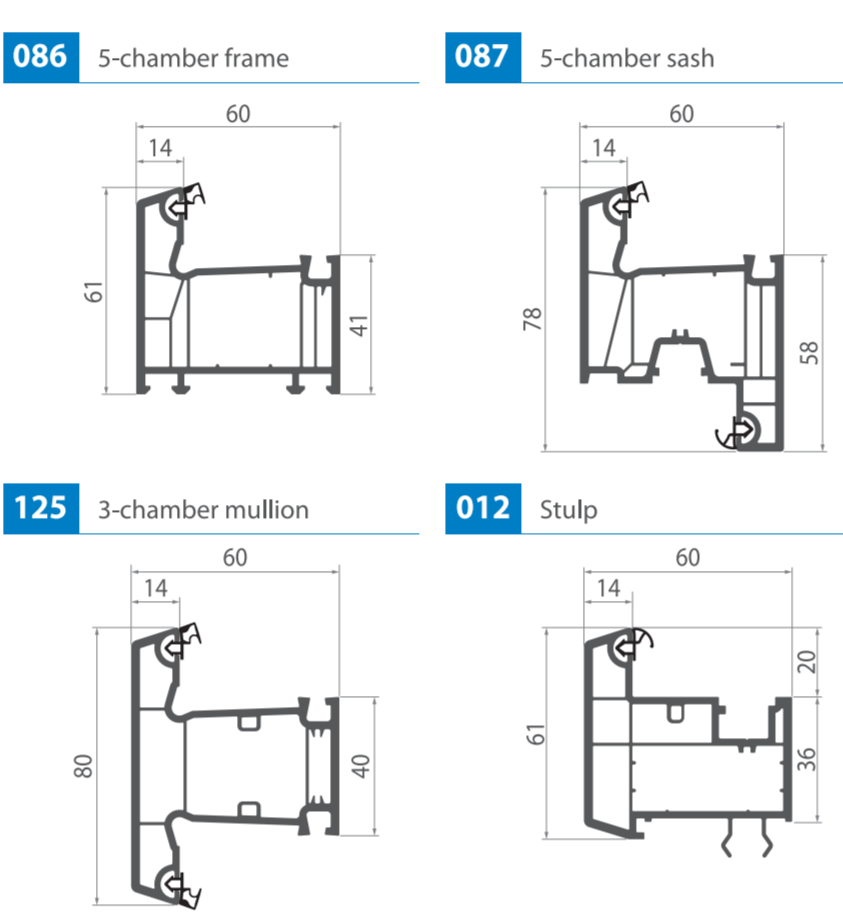
Heat insulation .....★★★★★  
 Sound insulation .....★★★★★  
 Mounting depth ..... 70 mm  
 Air permeability ..... up to class 4  
 Water tightness ..... up to class 7A  
 Resistance to wind load ..... up to class C5  
 Drainage inclination ..... 2°  
 Glazing unit ..... 24, 32, 40 mm  
 Overlap width ..... 17 mm



WDS 5S



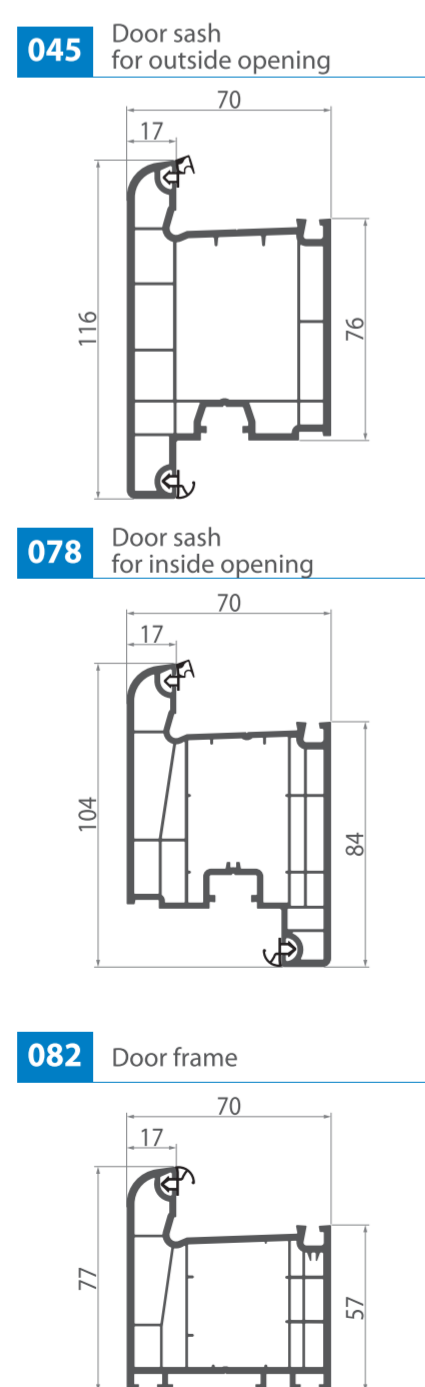
Heat insulation .....★★★★★  
 Sound insulation .....★★★★★  
 Mounting depth ..... 60 mm  
 Air permeability ..... up to class 4  
 Water tightness ..... up to class 7A  
 Resistance to wind load ..... up to class C4  
 Drainage inclination ..... 2°  
 Glazing unit ..... 24, 32 mm glass 6 mm  
 Overlap width ..... 14 mm



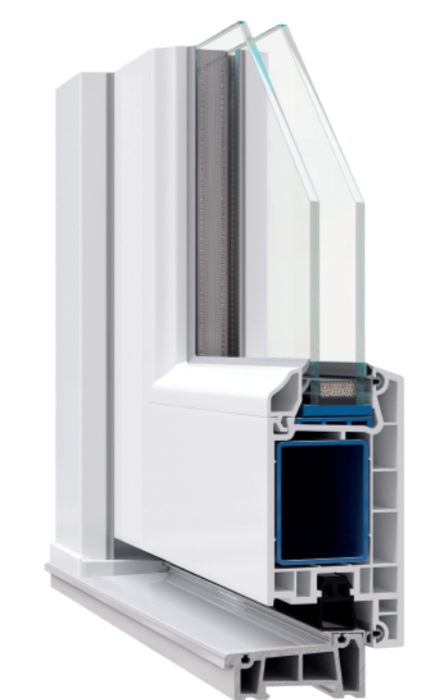
WDS DOORS 70 mm



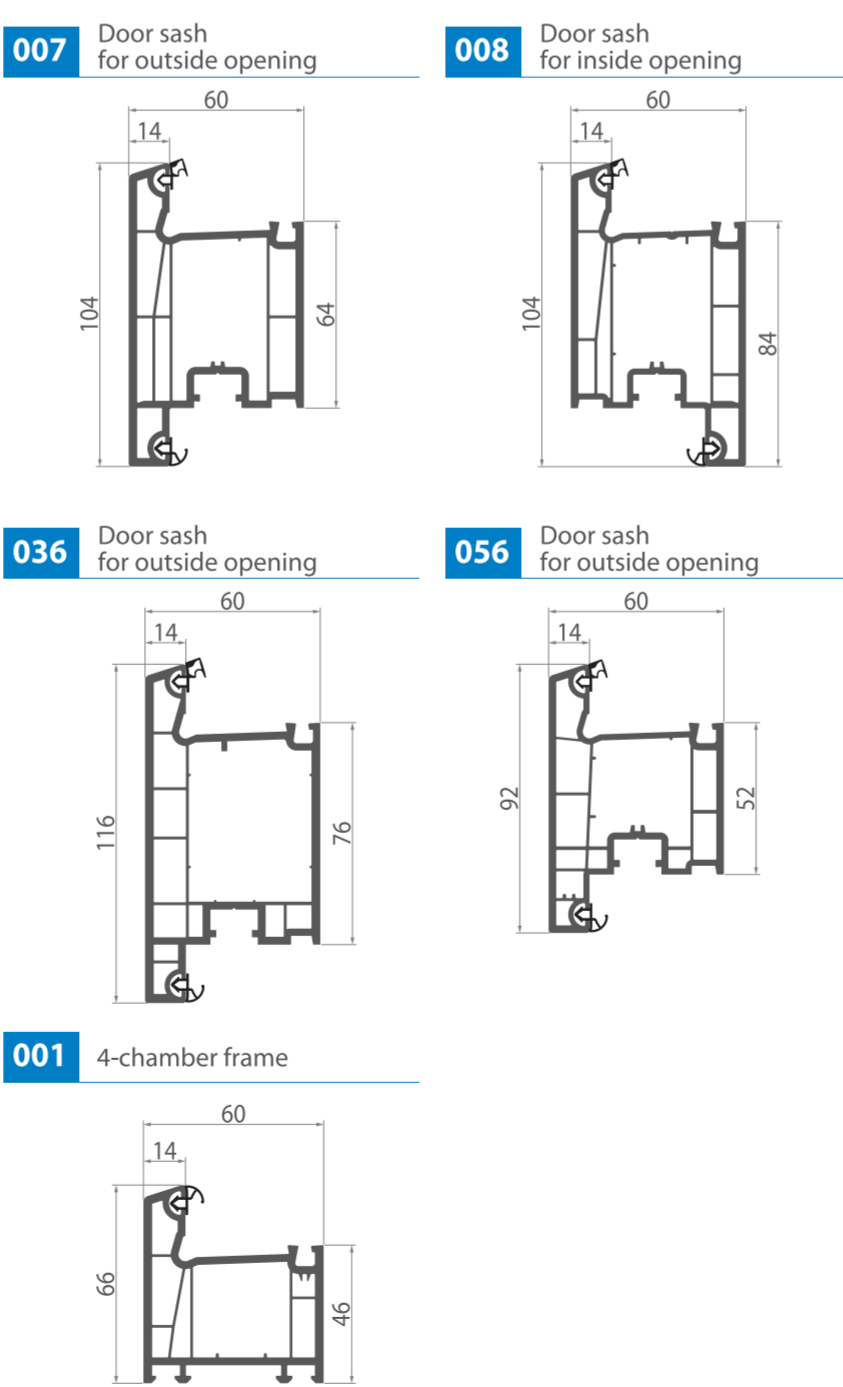
Mounting depth ..... 70 mm  
 Drainage inclination ..... 2°  
 Glazing unit ..... 24, 32, 40 mm  
 Overlap width ..... 17 mm



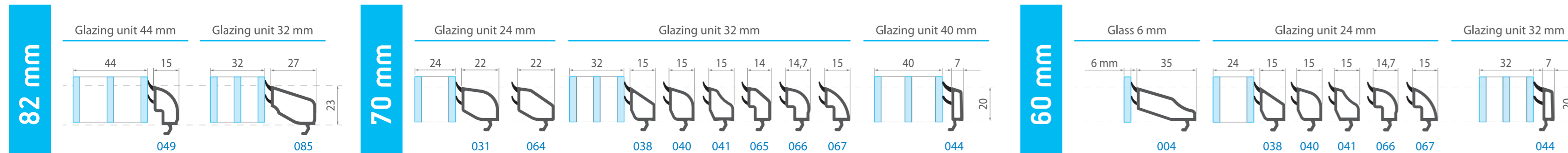
WDS DOORS 60 mm



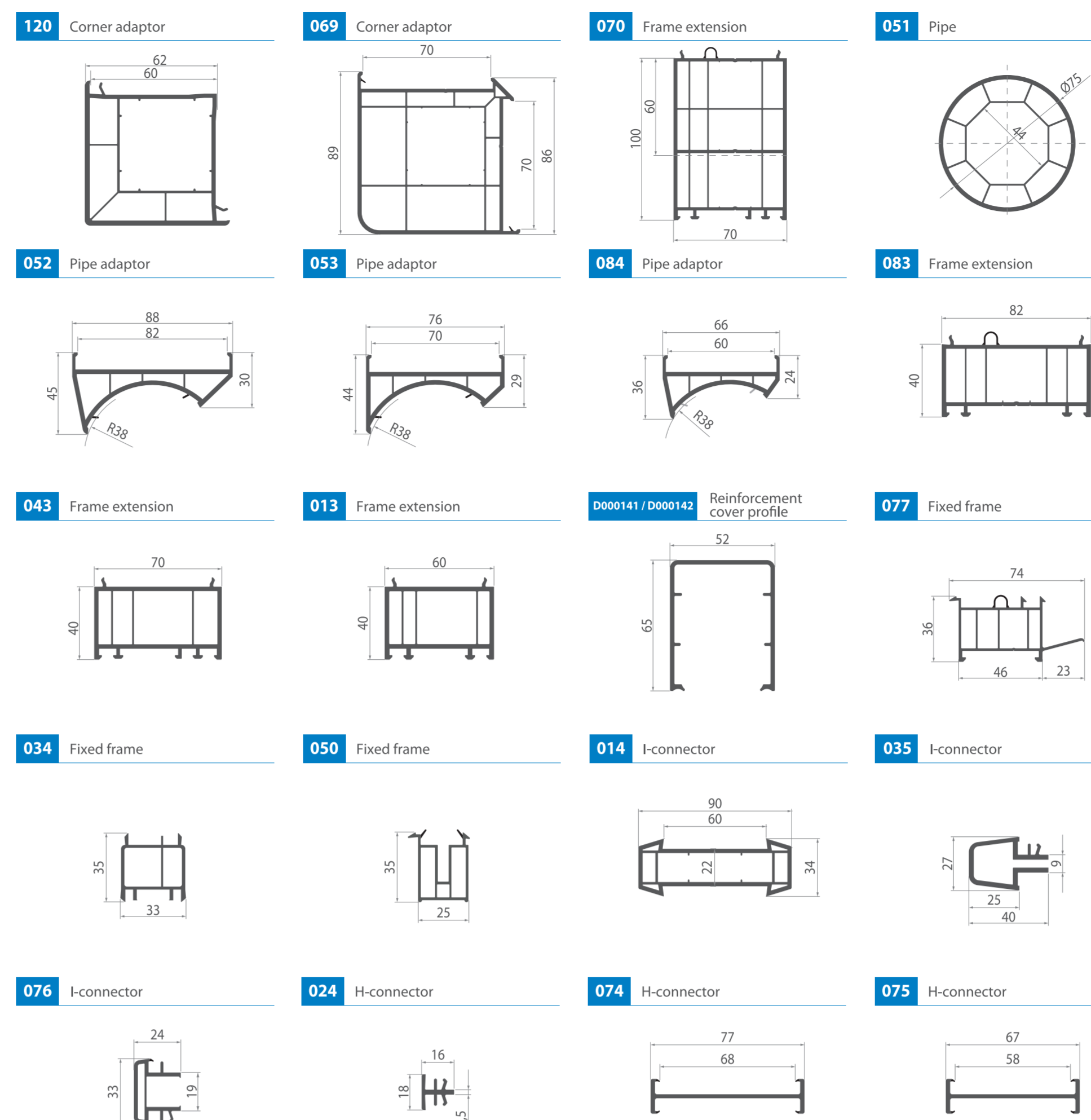
Mounting depth ..... 60 mm  
 Outer wall thickness ..... class A/class B  
 Drainage inclination ..... 2°  
 Glazing unit ..... 24, 32 mm glass 6 mm  
 Overlap width ..... 14 mm



GLAZING BEADS



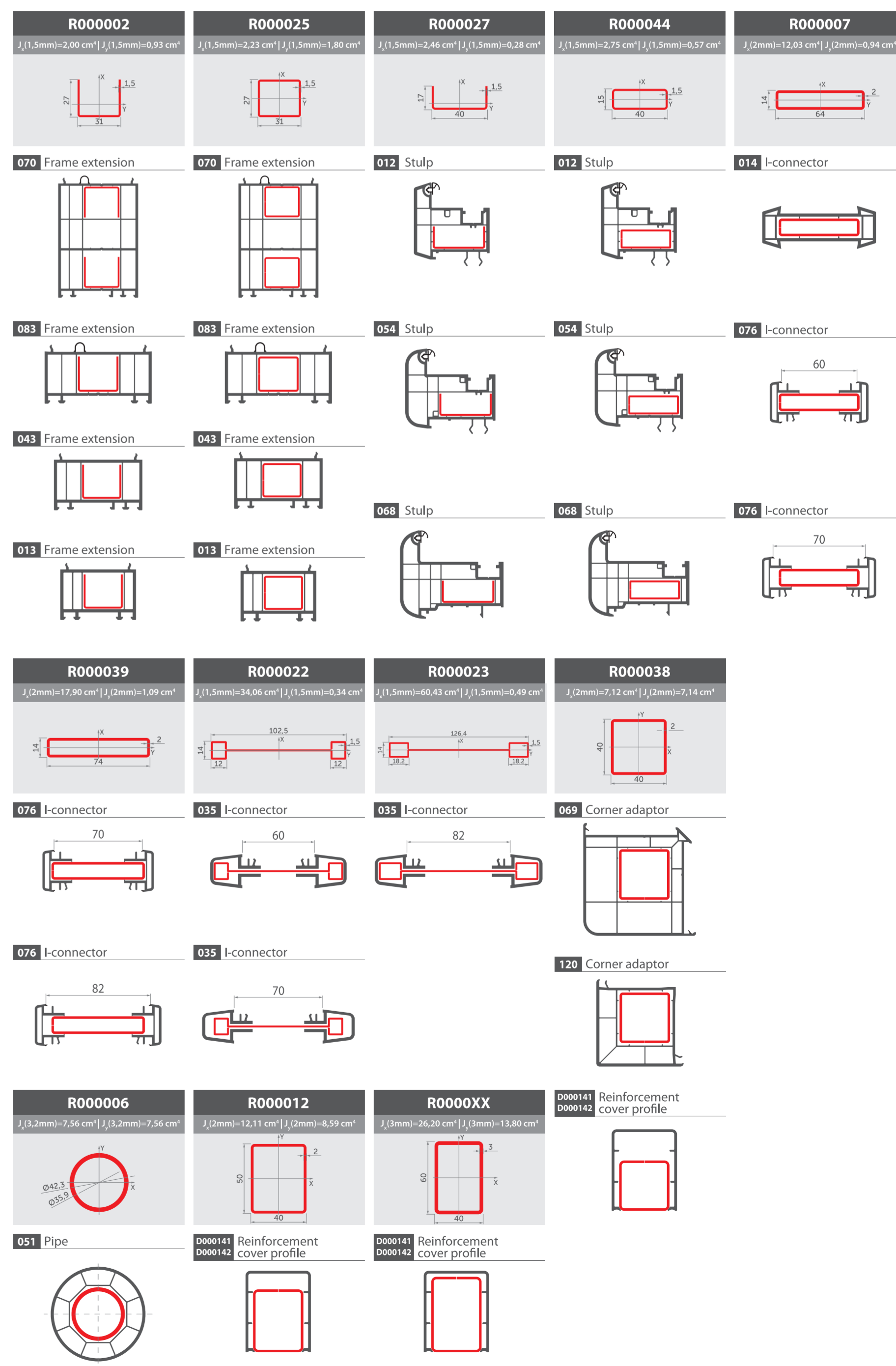
ADDITIONAL PROFILES



REINFORCEMENT - MAIN PROFILES



REINFORCEMENT - ADDITIONAL PROFILES



Film color	Gasket color	Profile color	Profile color	Profile color	Profile color
Sheffield Oak concrete	Grey	● Grey	● Grey	—	—
Turner Oak malt	Beige	● Beige	● Beige	—	—
Sheffield Oak alpine	Grey	○ White	○ White	—	—
Turner Oak toffee	Black	● Beige	● Beige	—	—
Sheffield Oak	Grey	○ White	○ White	○ White	○ White
AnTEAK	Black	● Grey	● Grey	● Grey	○ White
Sheffield Oak brown	Black	● Grey	● Grey	● Grey	○ White
Natural Oak	Beige	● Beige	● Beige	● Beige	● Beige
Golden Oak	Beige	● Beige	● Beige	● Beige	● Beige
Walnut	Beige	● Beige	● Beige	● Beige	● Beige
Montana Oak	Black	● Beige	● Beige	● Beige	● Beige
Dark Cherry	Black	● Beige	● Beige	● Beige	● Beige
Silver Metallic	Grey	● Grey	● Grey	● Grey	○ White
Grey Matte	Grey	● Grey	● Grey	● Grey	○ White
Basalt	Black	● Grey	● Grey	● Grey	○ White
Quartz	Black	● Grey	● Grey	● Grey	○ White
Umbrä Matte	Black	● Grey	● Grey	● Grey	○ White
Alux DB 703	Black	● Grey	● Grey	● Grey	○ White
Anthracite	Black	● Grey	● Grey	● Grey	○ White
Anthracite Grey Matte	Black	● Grey	● Grey	● Grey	○ White
Anthracite Grey Sand	Black	● Grey	● Grey	● Grey	○ White
Black Matte	Black	● Grey	● Grey	● Grey	○ White